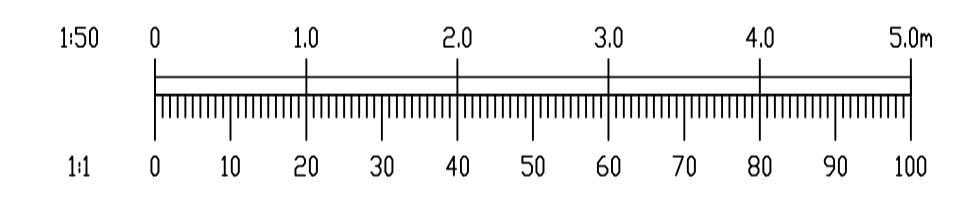
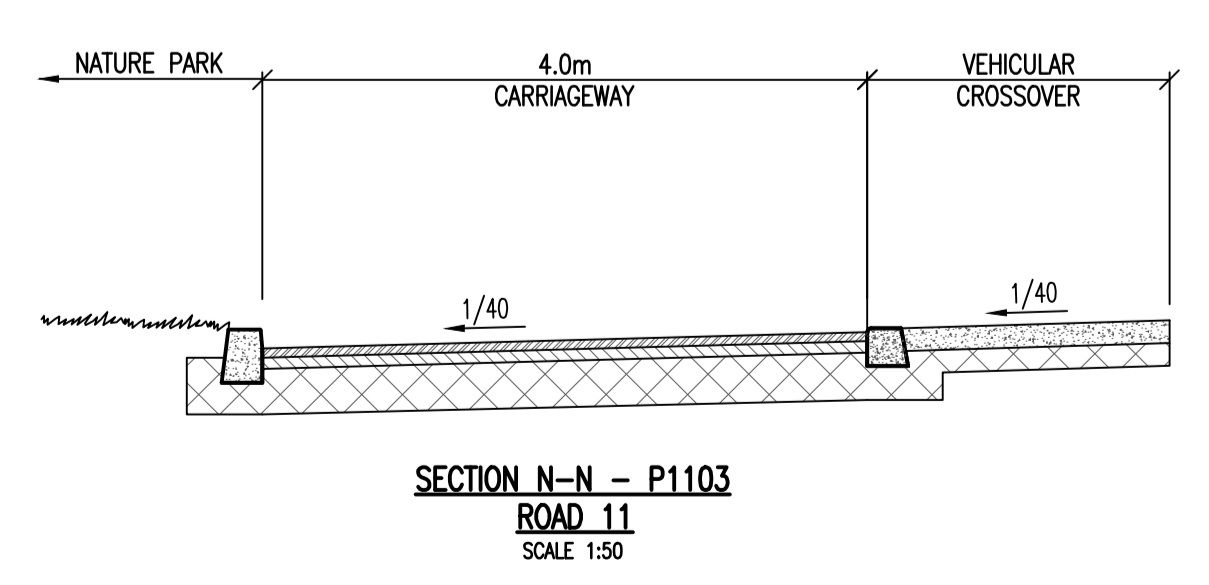
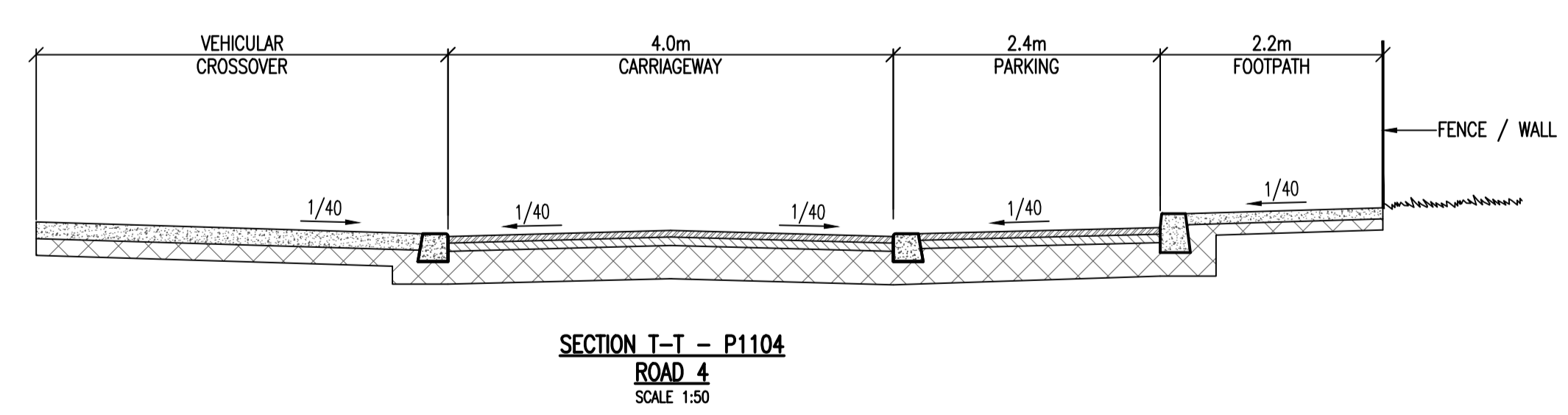
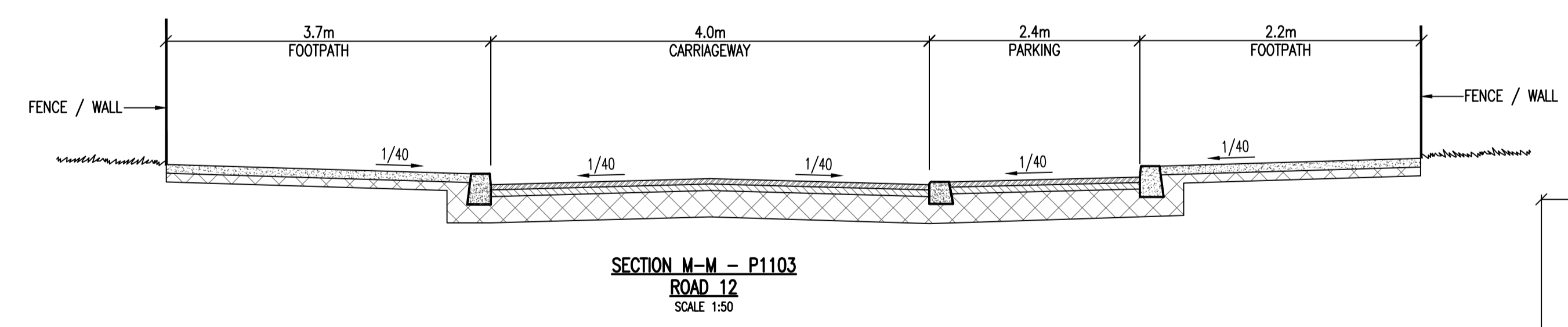
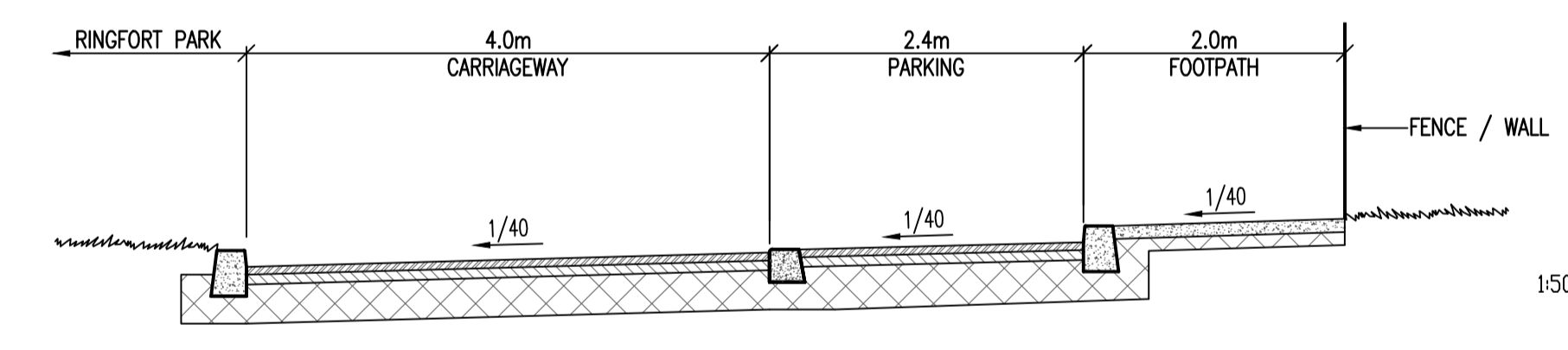
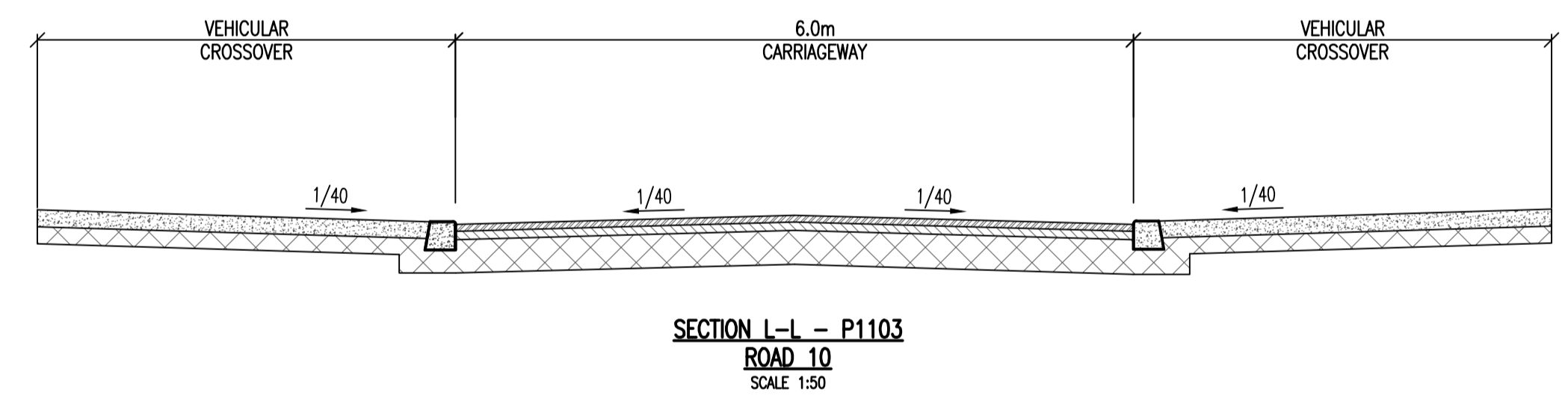
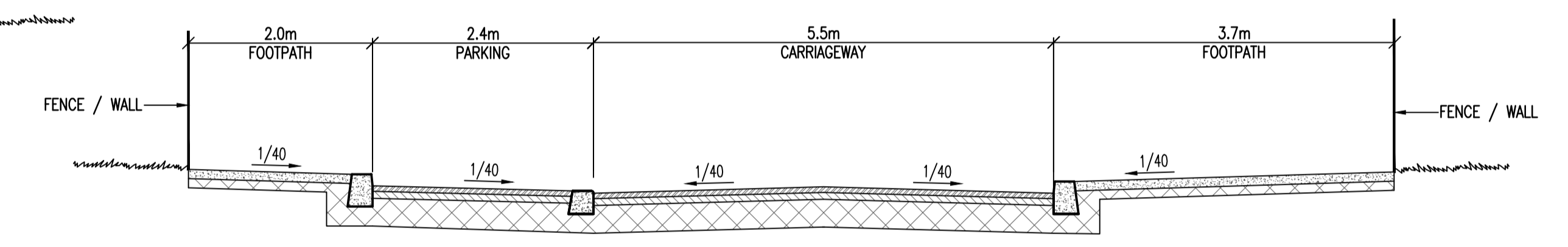
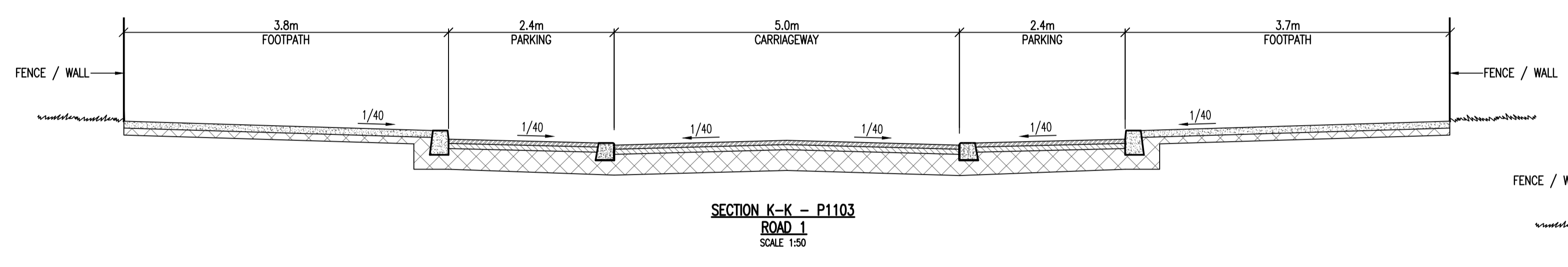
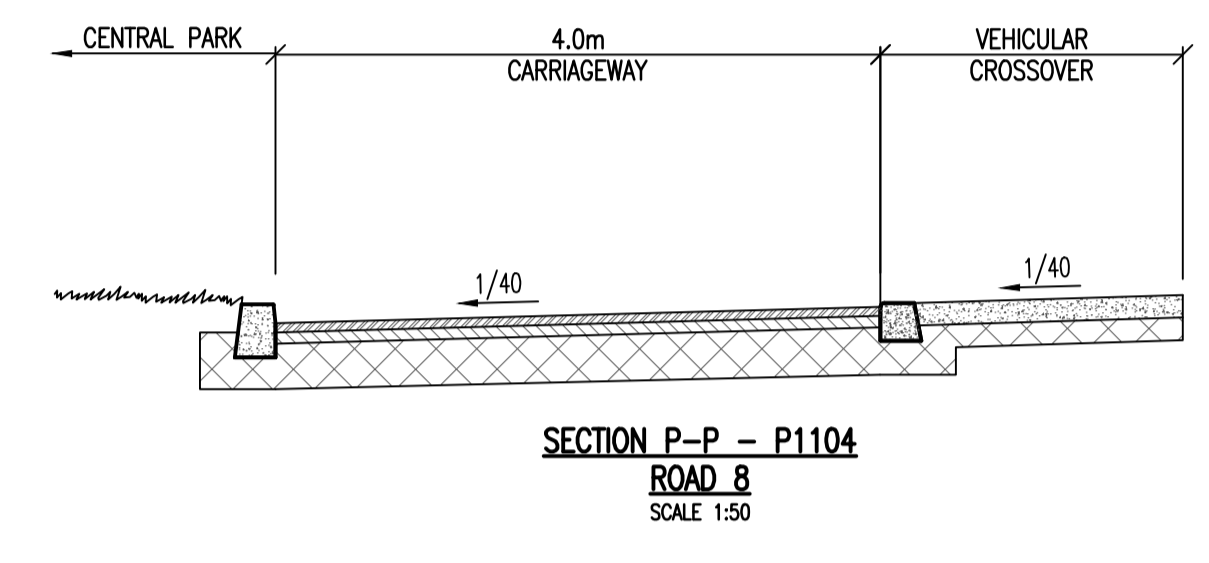
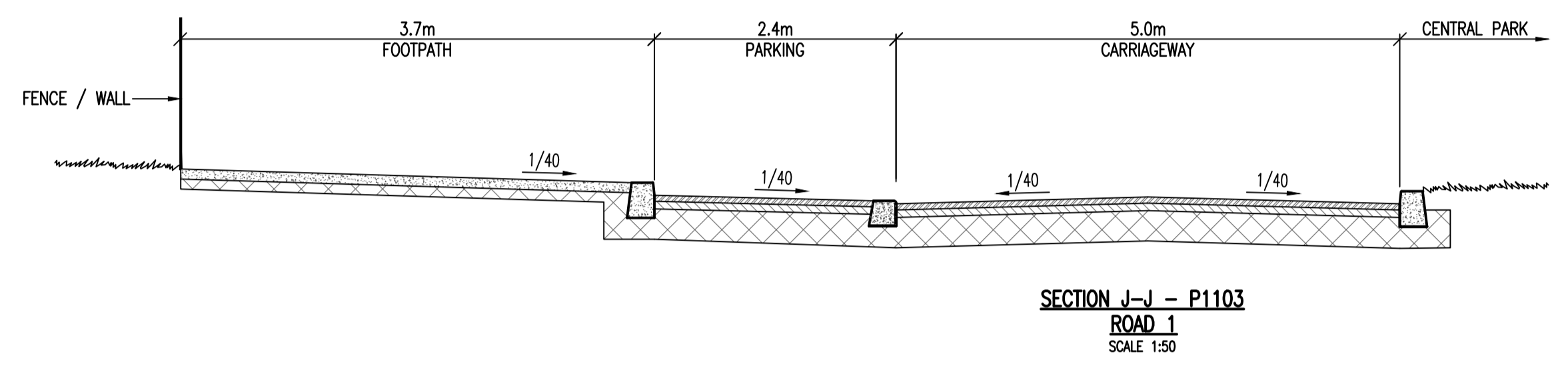
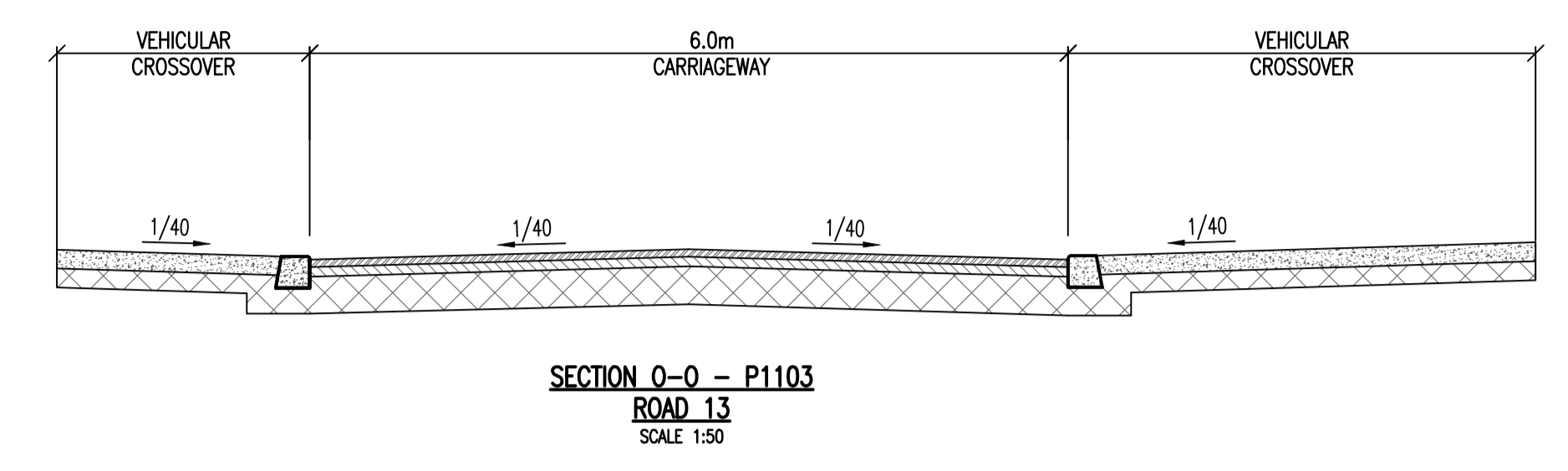
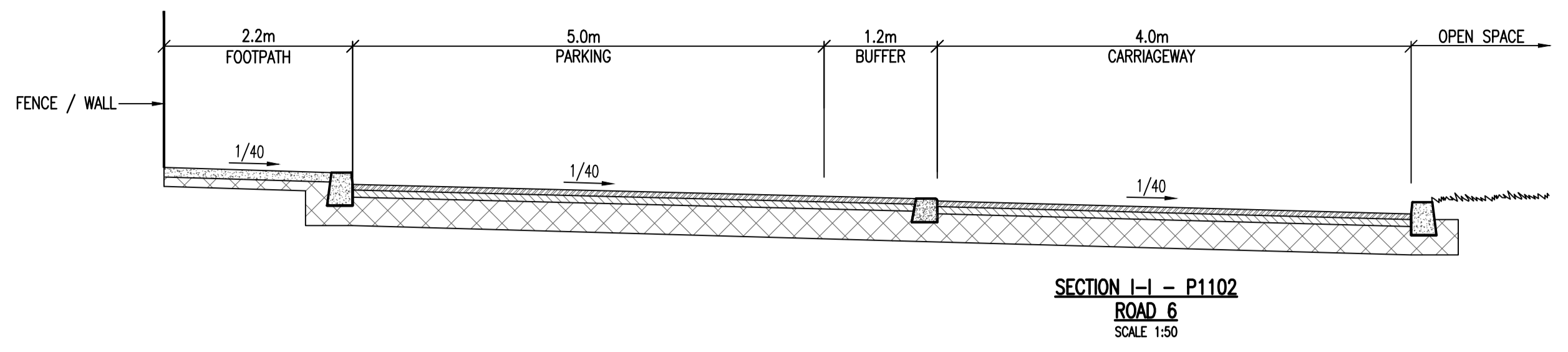


- NOTES:
- DO NOT SCALE. USE FIGURED DIMENSIONS ONLY.
 - THIS DRAWING IS TO BE READ IN CONJUNCTION WITH ALL OTHER RELEVANT ARCHITECTURAL AND ENGINEERING DRAWINGS.



REV.	DATE	AMENDMENT	DRN	APPD

STATUS **PLANNING**

Waterman Moylan
Engineering Consultants
BLOCK 5, EASTPOINT BUSINESS PARK, ALFIE BYRNE ROAD,
DUBLIN D03 H3F4 IRELAND.
Tel: (01) 664 8900 Fax: (01) 661 3618
Email: info@waterman-moylan.ie www.waterman-moylan.ie

CLIENT **GERARD GANNON PROPERTIES**
ARCHITECT **CONROY CROWE KELLY ARCHITECTS**

PROJECT **PHASE 3, MOORETOWN**

TITLE **ROAD DETAILS AND SECTIONS SHEET 3 OF 3**

DRAWN	DESIGNED	APPROVED	DATE
MS	RM	MD	JULY 2021
SCALE	JOB NO.	DRG. NO.	REVISION
AS SHOWN @ A1	21-011	P1122	

© 2017. This drawing is copyright. No part of this document may be reproduced or transmitted in any form or stored in any retrieval system of any nature without the written permission of the consulting engineer or copyright holder except as agreed for use on the project for which the document was originally issued.